



CSC LED

ARCHITECTURAL LINEAR STRIP LIGHTS

Customizable

0-10V Dimmable

Colour Tunable

Make a statement with CSC LED's Architectural Linear Strip Lights. These sleek, modern fixtures are powerful proven performers that allow for countless customizable configurations and lighting designs to suit the unique needs of your project.



ACCESSORIES & MOUNTING KITS

Mounting options to meet your project's every need

Create your own custom look with a variety of accessories and mounting options.



Ask your CSC LED rep for details or to assist you with a lighting layout to meet your needs.

BACKLIT CONNECTORS

Customize your space with our Backlit Connectors

CSC LED Architectural Linear Strip Lights pair seamlessly with our individually powered Backlit Connectors. Backlit Connectors are offered in 4 configurations and each connector features a polycarbonate lens and white aluminum housing.



X Connector | 10W

AL-X-CON

Required: 4 x AL-C-KIT



T Connector | 7W

AL-T-CON

Required: 3 x AL-C-KIT



90° Connector | 5W

AL-L-CON

Required: 2 x AL-C-KIT



120° Connector | 5W

AL-120-CON

Required: 2 x AL-C-KIT



Order Code	Length	Wattage	CCT	Voltage	Lumens	Efficacy	Light Dispersion
AL4-DI-40W-3CCT-UD	4 FT	40W	3000K / 3500K / 4000K	120-347V	4,608 lm	111 lm/W	Direct / Indirect
AL4-D-40W-3CCT-UD	4 FT	40W	3000K / 3500K / 4000K	120-347V	4,608 lm	111 lm/W	Direct
AL8-DI-80W-3CCT-UD	8 FT	80W	3000K / 3500K / 4000K	120-347V	9,263 lm	112 lm/W	Direct / Indirect
AL8-D-80W-3CCT-UD	8 FT	80W	3000K / 3500K / 4000K	120-347V	9,263 lm	112 lm/W	Direct

SPECIFICATIONS

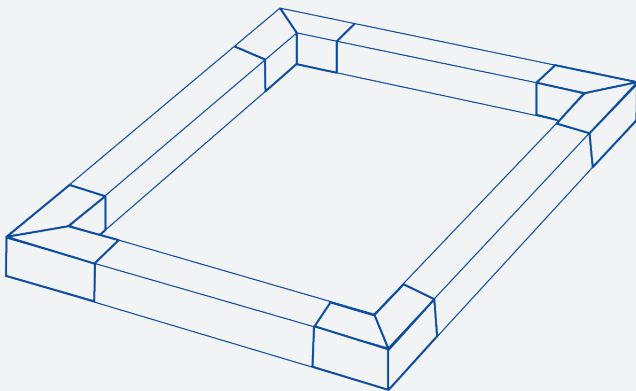


Direct / Indirect: 30% uplight, 70% downlight Direct: 100% downlight

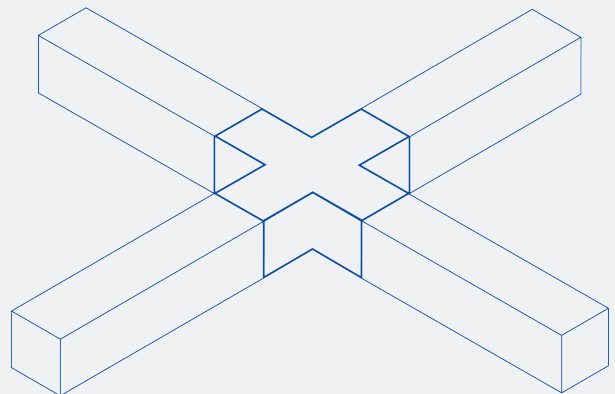
Accessories	
AL-WM-KIT	Wall Mount Kit for Architectural Linear Strip Lights
AL-S-KIT	Suspension Kit for Architectural Linear Strip Lights
AL-TB-KIT	T-Bar Mounting Kit for Architectural Linear Strip Lights
AL-R-KIT	Recessed Kit for Architectural Linear Strip Lights (Note: 2 kits required for 8 ft fixtures)
AL-MR-KIT	Mud-in Recessed Kit for Architectural Linear Strip Lights (Note: 2 kits required for 8 ft fixtures)
AL-L-KIT	Louver Kit for Architectural Linear Strip Lights (Note: 2 kits required for 8 ft fixtures)
AL-120-CON	120° Backlit Connector for Architectural Linear Strip Lights
AL-L-CON	90° Backlit Connector for Architectural Linear Strip Lights
AL-T-CON	T Backlit Connector for Architectural Linear Strip Lights
AL-X-CON	X Backlit Connector for Architectural Linear Strip Lights
AL-C-KIT	Connector Kit for use with Backlit Connectors (Note: Required to attach Backlit Connector Joints and Row Mounting Fixtures)



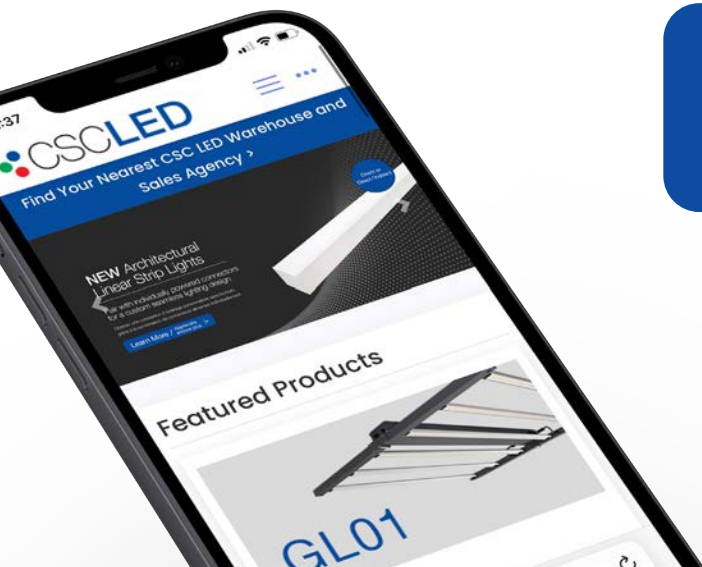
CONFIGURATION INSPIRATION



QTY	PRODUCT #	DESCRIPTION
4 x	AL4-DI-40W-3CCT-UD	4ft, 40W, Direct/Indirect Luminaire
4 x	AL-L-CON	90° Connector
8 x	AL-C-KIT	Connector Kit
4 x	AL-S-KIT	Suspension Kit



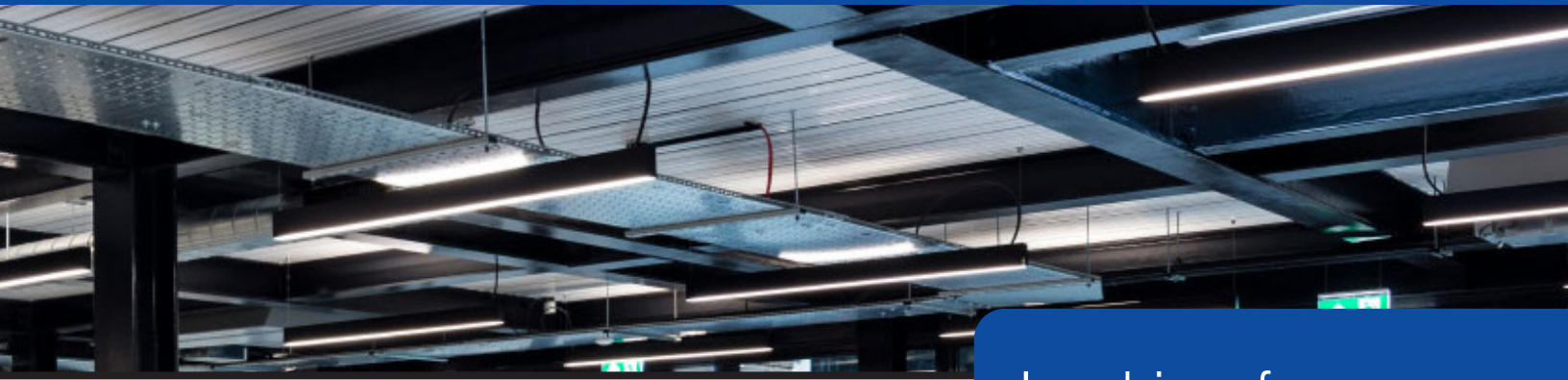
QTY	PRODUCT #	DESCRIPTION
4 x	AL4-DI-40W-3CCT-UD	4ft, 40W, Direct/Indirect Luminaire
1 x	AL-X-CON	X Connector
4 x	AL-C-KIT	Connector Kit
4 x	AL-S-KIT	Suspension Kit



Need Help From Our Technical Team?

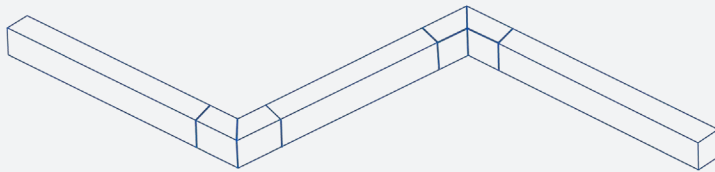
Not sure which configuration is the best choice for your space? Our technical team is happy to lend a hand and create a design customized to suit the needs of your project.

Simply email info@csc-led.com with your project details and one of our team members will be in touch!

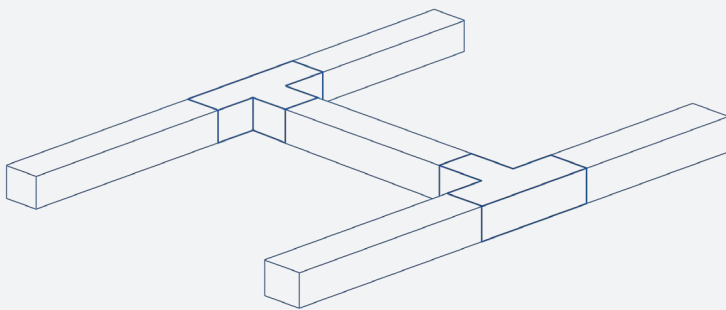


Looking for More Information?

To view product specifications, IES files, installation instructions, and more, scan the QR code with your smartphone or visit www.csc-led.com

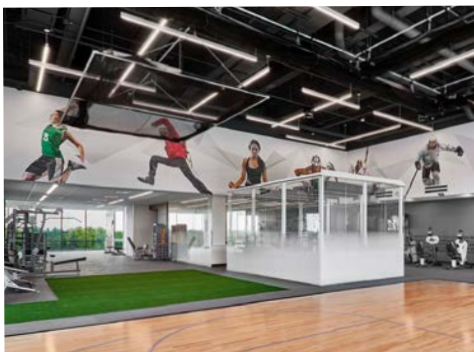


QTY	PRODUCT #	DESCRIPTION
3 x	AL4-DI-40W-3CCT-UD	4ft, 40W, Direct/Indirect Luminaire
2 x	AL-120-CON	120° Connector
4 x	AL-C-KIT	Connector Kit
3 x	AL-S-KIT	Suspension Kit



QTY	PRODUCT #	DESCRIPTION
5 x	AL4-DI-40W-3CCT-UD	4ft, 40W, Direct/Indirect Luminaire
2 x	AL-T-CON	T Connector
6 x	AL-C-KIT	Connector Kit
4 x	AL-S-KIT	Suspension Kit

*If suspending from T-bar, replace AL-S-KIT with the same quantity of AL-TB-KIT





Industrial and Commercial LED Lighting

1-888-900-9885 | info@csc-led.com | www.csc-led.com

HEAD OFFICE

8-540 Jamieson Parkway
Cambridge, ON N3C 0G5
orders@csc-led.com

AB WAREHOUSE

13-2355 52nd Ave SE
Calgary, AB T2C 4X7
ordersbc@csc-led.com

BC OFFICE

121-1647 Broadway St.
Port Coquitlam, BC V3C 6P8
ordersbc@csc-led.com

SALES AGENCIES

BRITISH COLUMBIA

Ken Watt & Associates
P: (604) 576-2838
www.kenwattassoc.com

MANITOBA

TMC Sales
P: (204) 837-5036
www.tmcsales.ca

ALBERTA / SASKATCHEWAN

Sensible Adaptive Solutions
P: (403) 519-4209
P: (403) 869-8252
www.sensibleadaptive.com

ONTARIO

Roney Marketing Ltd.
P: (905) 595-1344
www.roneymk.com

NEWFOUNDLAND AND LABRADOR

RWM Enterprises
P: (709) 682-4012

QUÉBEC

Éclairage Hi-Tech Inc.
P: (450) 442-7604
www.eclairagehitech.com

MARITIMES

Catalyst Sales and Marketing
P: (902) 266-3899
www.catalystsales.ca

The information provided in our print catalogues and on our website has been gathered and assembled with every effort made to verify the accuracy of the content; however, mistakes can happen. The information in this document is subject to change without notice. If you have any questions or comments, please reach out to us at marketing@csc-led.com